

GST: 29ABTPE3897M1ZM

info@sntools.co.in



S. N. Tools

Quality with Integrity

No. 189, 3rd Main road, 4th stage Industrial town, Rajajinagar, Bangalore-560044

Nishanth E
9738818112

nishanth@sntools.co.in

Karthik Raj U
9060113484

karthikraju@sntools.co.in

Sumanth S Athreya
8892560046

sumanth@sntools.co.in



➤ **About us**

A journey of thousand miles begins with single step” is the inspiration for inception of SN Tools. SN Tools is an Engineering organization with “Intelligence by Inheritance” and having strong knowledge in engineering community. To have dedicated focus on customer and business, SN Tools operates with Quality with Integrity.

➤ **Vision**

Our vision is to maintain 100% accuracy and to deliver every project on time and within the budget parameter of the project. To be premier and preferred provider of technology enabled and business process, outsourcing services in our chosen markets. We envision a client relationship that is based on trust, confidence and mutual success.

➤ **Mission**

To help our clients maximize their customer lifetime value and increase their competitive advantage by helping drive productivity and efficiency while delivering measurable results. To seek out competitive advantages for our clients through innovative use of technology and to help them achieve long term success and prosperity to provide uncompromising customer services and satisfaction, regardless of the type of products or service offered.

➤ **Roles**

S. N. Tools role involves the creation of new mechanical engineering activities and services for clients, as well as the optimization of existing activities. S. N. Tools is renowned for its skill and expertise and proposes a global services offering. Our mechanical systems solutions cover a wide range of sectors including automobiles, construction, and complex machinery in general and transport (planes, aviation structure and spatial systems) as well as energy production systems.

➤ Facilities

- Conventional Milling
- Surface Grinding
- DRO Milling
- Conventional Lathe
- Die tools
- Wire cut
- Sparking
- CNC/VMC

Collaboration
with in our
facility



➤ Specialization

- Tool and die making.
- Jigs & fixtures.
- Precision components.
- Press components.
- Plastic components.
- Turning components.
- Milling components.
- Design & Development.



PRECISION COMPONENTS



Magnet valves for ESP



Piston of fuel pump



Plunger



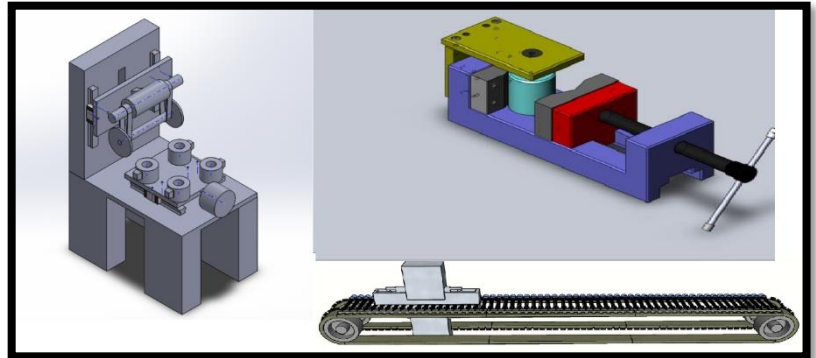
Antenna housing



Nozzle cap

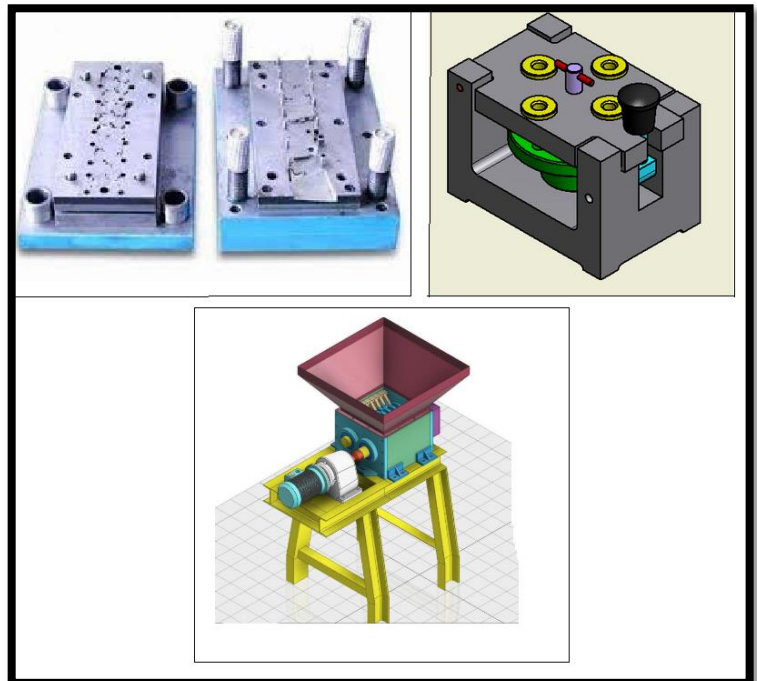
➤ Total Product Design Solutions

- Design and Development of Mechanical products
- CAD Service
- Product Concept Design
- Design Optimization
- Re Engineering
- Process Re-design



➤ Design Specialization

- Tool Design – Press and Mould
- Jigs and fixture design
- Special purpose machine design
- Process Automation



➤ Six sigma solution

- Optimizing the machining process
- New market development
- Strategic machining Planning
- Reduce Operational Costs



➤ Our Clients

- Bosch
- NAL
- General Electric
- Toyota Kirloskar Motor
- Unibic Foods India Pvt Ltd
- Haselmeier India Pvt Ltd
- IISc Bangalore
- Southern Opto Electronics Pvt Ltd
- South India enterprises
- Electrex

TRUSTED PARTNERS



Contact us.



No. 189, 3rd Main road,
4th stage Industrial town,
Rajajinagar, Bangalore-560044
Mobile: 9738818112 / 9060113484.